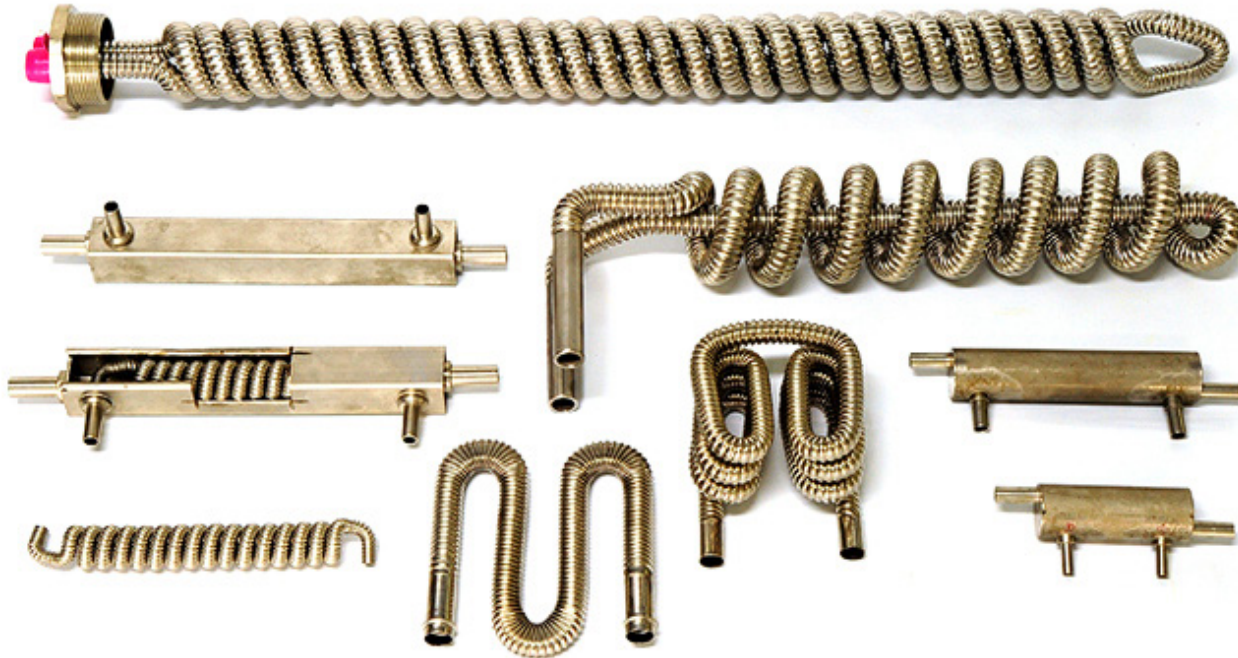


Flexible tube & Fitting for heat exchanger (Model-006)

Flexible tube & Fitting for heat exchanger (Model-006)

Endless roll type of helical type corrugated tube, which is approved by UL(USA), RWTUV(Germany) and is certified only as a quality product with NET, KS(KSD3628) by the Korean government, is the ideal product for a heat exchanger.

The plate pincoil for a heat exchanger is expensive as its manufacturing process is very complicated, and weak in corrosion. Hence, it is increasingly replaced by the helical type corrugated tubes for a heat exchanger developed by Dong-A, which has a narrow-pitch, and a higher peak. (Product specifications are subject to the customers' particulars.)



Flexible tube & Fitting for heat exchanger (Model-006)

· Heat-exchanger Coil (Ø 1/2", 3/4", 1", 1 1/4", 1 1/2", 2")



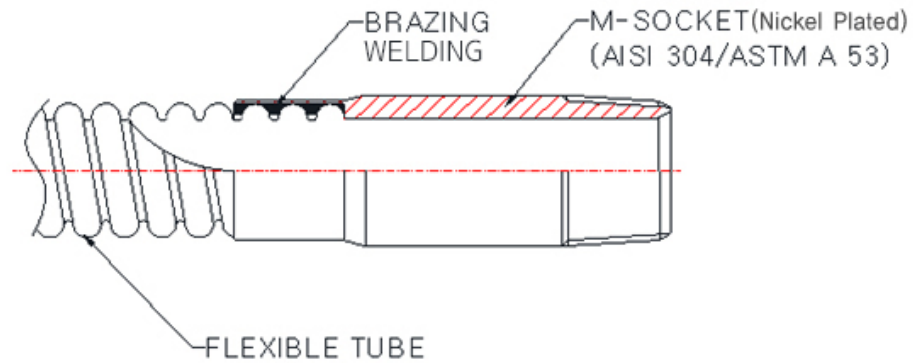
Welding type for steel tank



Screw type for plastic tank

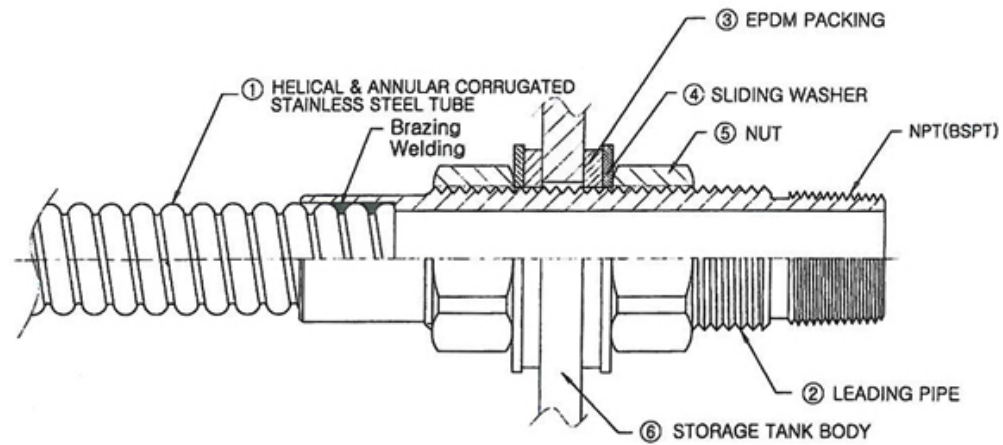
Flexible tube & Fitting for heat exchanger (Model-006)

· Cross Cut View of Heat Exchanger Socket



※ Storage tank connector for Welding type leading pipe (For Steel tank)

The drawing of the lead pipe of heat exchanger for storage tank



※ Storage tank connector for Screw type leading pipe (For Synthetic resin tank)

Flexible tube & Fitting for heat exchanger (Model-006)

Standard specification of Tube for Heat exchanger coil and Solar collector tube

MODEL-003 FLEXIBLE TUBES (HELICAL TYPE) AISI 304, 316L	Nominal Diameter	Thickness	O.D.(mm)	I.D.(mm)	No. of Pitch (EA/M)	Length(m)	Min. Bending Radius (mm)	Max. Working Pressure(kgf/cm ²)
	DN15(1/2")	0.3t~0.4t	18.0~18.2	13.9~14.1	200+/-1	25, 50(Max length 300)	30	13
	DN20(3/4")		25.6~25.8	21.1~21.3	180+/-1		40	12
	DN25(1")		32.6~32.8	27.2~27.4	160+/-1		50	10
	DN32 (1 1/4")		39.5~39.7	34.0~34.2			80	8
	DN40 (1 1/2")		49.5~49.7	42.4~42.6			120	
	DN50(2")		62.0~62.2	53.3~53.5	145+/-1		150	
MODEL-004 Annular Type Tubes AISI 304, 316L	Nominal Diameter	Thickness	O.D.(mm)	I.D.(mm)	No. of Pitch (EA/M)	Length(m)	Min. Bending Radius (mm)	Max. Working Pressure(kgf/cm ²)
	DN10 (3/8")	0.2t~0.3t	14.9~15.5	11.3~11.9	237~243 (240+/-3)	25, 50(Max length 300)	30	18
	DN15 (1/2")		17.7~18.3	13.4~14.0	234~240 (237+/-3)			13
	DN20 (3/4")	0.25t~0.3t	25.3~25.9	19.7~ 21.3	210~216 (213+/-3)		40	12
	DN25 (1")		31.5~32.1	26.5~27.1	193~199 (196+/-3)		50	10
	DN32 (1 1/4")	0.3t~0.4t	37.3~37.9	31.7~32.3	180~186 (183+/-3)		80	8
	DN40 (1 1/2")		45.7~46.3	38.7~39.3	167~173 (170+/-3)		120	
DN50 (2")	54.7~55.3		47.7~48.3	152~158 (155+/-3)	150			

Certifications

